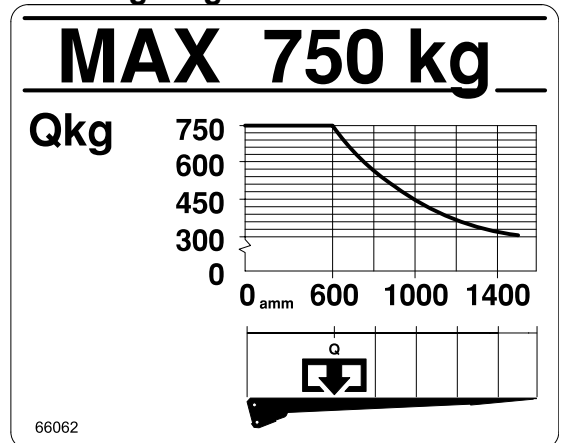
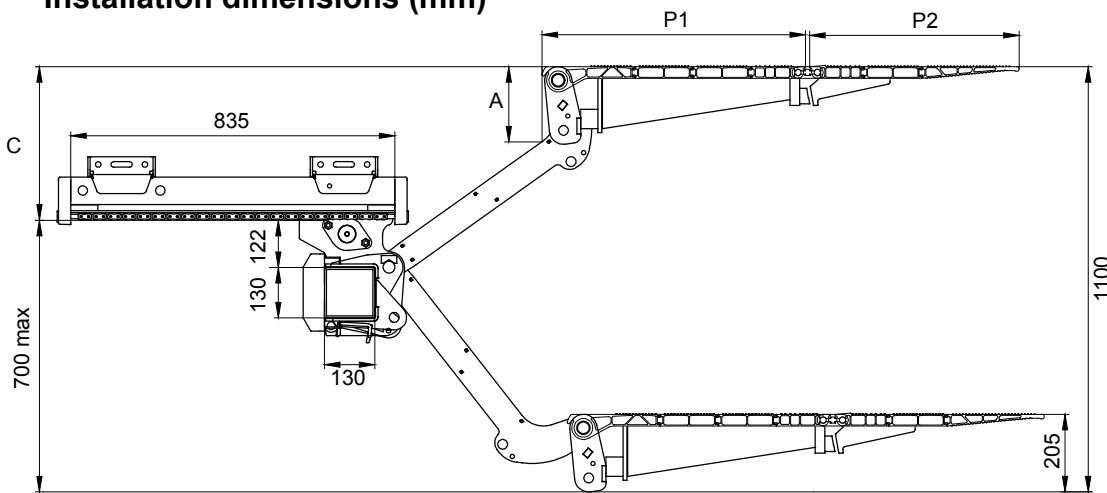


(150 bar)	12 volt	24 volt
Pump - Motor Unit	115 A	60 A
Magnet (hydraulic unit)	4,2 A	2,1 A
Magnet (electric safety valve)	1,5 A	0,75 A
Solenoid	1,5 A	0,85 A
Cable area:		
Control cable	1,5 mm ²	1,5 mm ²
Main cable 0-8m	35 mm ²	35 mm ²
Main cable 8-15m	50 mm ²	35 mm ²
Main cable <15m	-	50 mm ²
Power source:		
Min. capacity	180 Ah	170 Ah
Min. voltage	9 Volt	18 Volt

Loading diagram

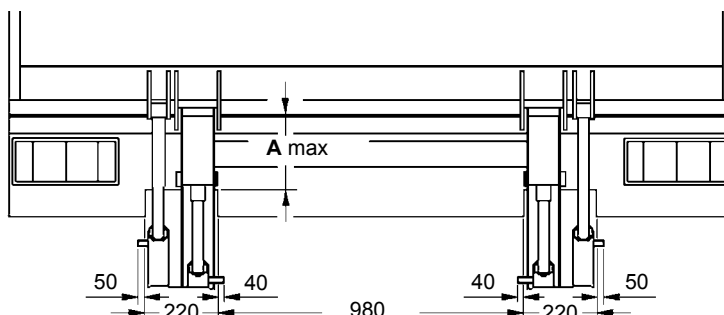
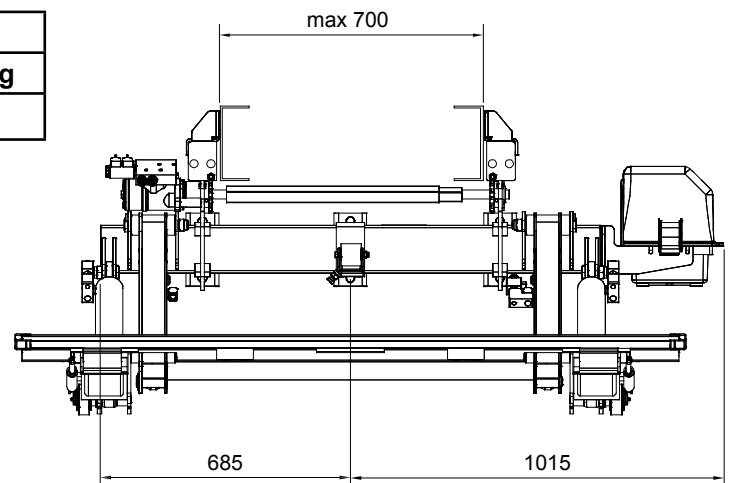
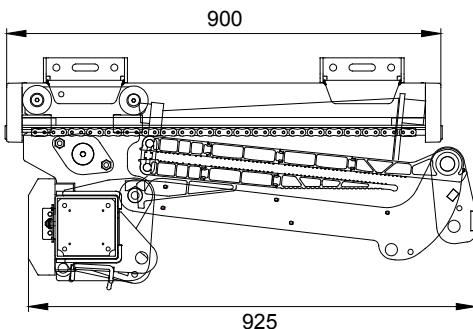


Installation dimensions (mm)



A	C
200	400
153	180

Double folding platform			
Platform length	P1	P2	Total overhang
1179	629	540	925



Z-Lyften Produktion AB
 Tel: +46 (0)150 489 550
 Fax: +46 (0)150 489 551, +46 (0)150 489 566
 E-mail: zepro@zepro.com, Internet: www.z-lyften.se