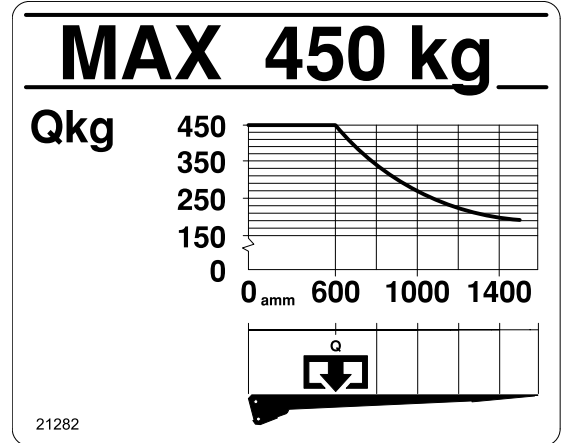


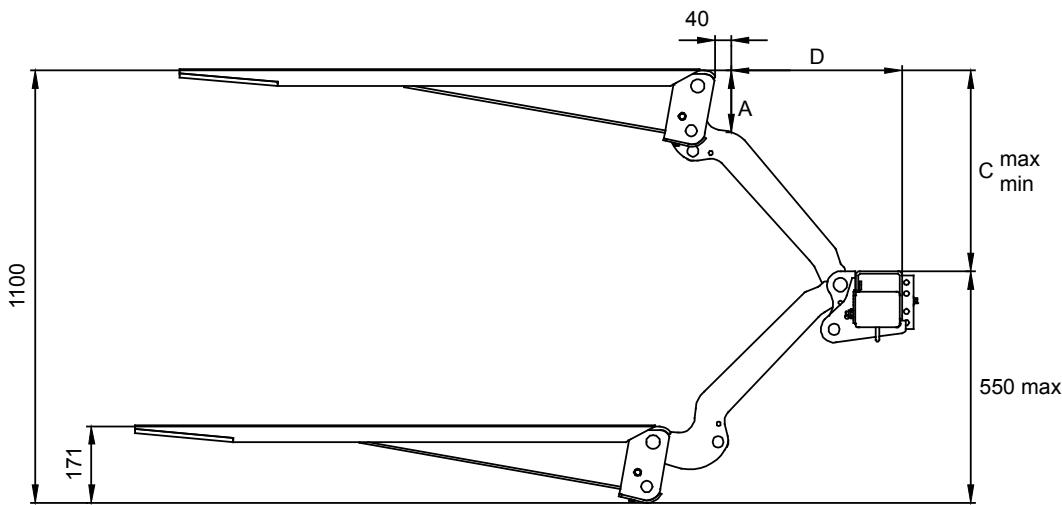
ZEPRO ZN 45-110

Loading diagram

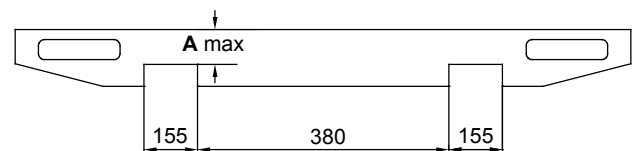
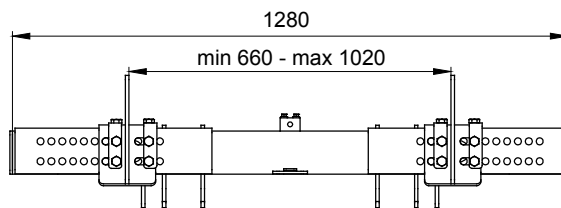
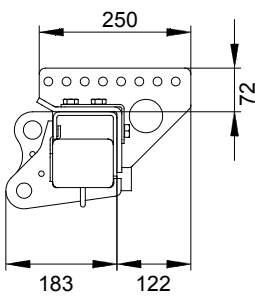
| (110 bar) | | 12 volt | 24 volt |
|--------------------------------|-------------------|---------------------|---------------------|
| Pump – Motor Unit | | 95 A | 60 A |
| Magnet (hydraulic unit) | | 1,4 A | 0,7 A |
| Magnet (electric safety valve) | | 1,5 A | 0,75 A |
| Solenoid | | 1,8 A | 0,9 A |
| Cable area | Control cable | 1,5 mm ² | 1,5 mm ² |
| | Main cable 0-8 m | 35 mm ² | 35 mm ² |
| | Main cable 8-15 m | 35 mm ² | 35 mm ² |
| | Main cable >15 m | – | 35 mm ² |
| Power source | Min. capacity | 140 Ah | 110 Ah |
| | Min. voltage | 9 volt | 18 volt |



Installation dimensions (mm)



| C | A | D |
|-----|-----|-----|
| 550 | 146 | 432 |
| 500 | 133 | 498 |
| 450 | 125 | 549 |
| 400 | 117 | 590 |
| 350 | 105 | 624 |
| 300 | 95 | 652 |
| 250 | 85 | 675 |



2017-04-13

ZEPRO Sales

Tel.: +46 (0)150 489 550

Fax: +46 (0)150 489 551, +46 (0)150 489 566

E-mail: zepro@zepro.com | zepro.com