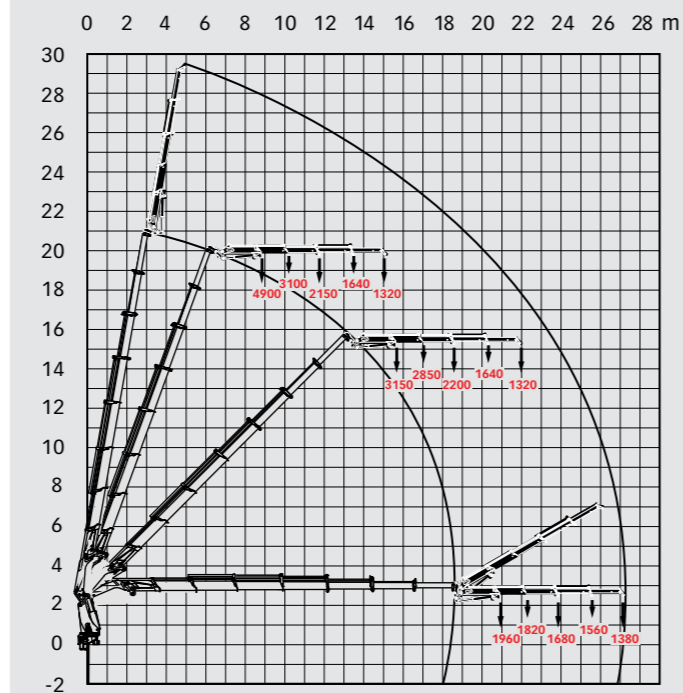
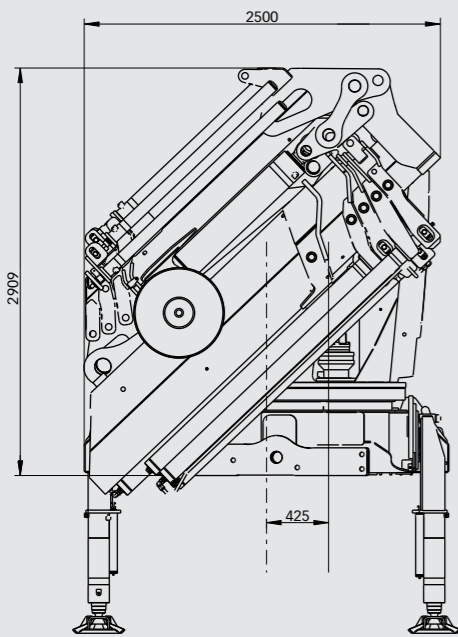
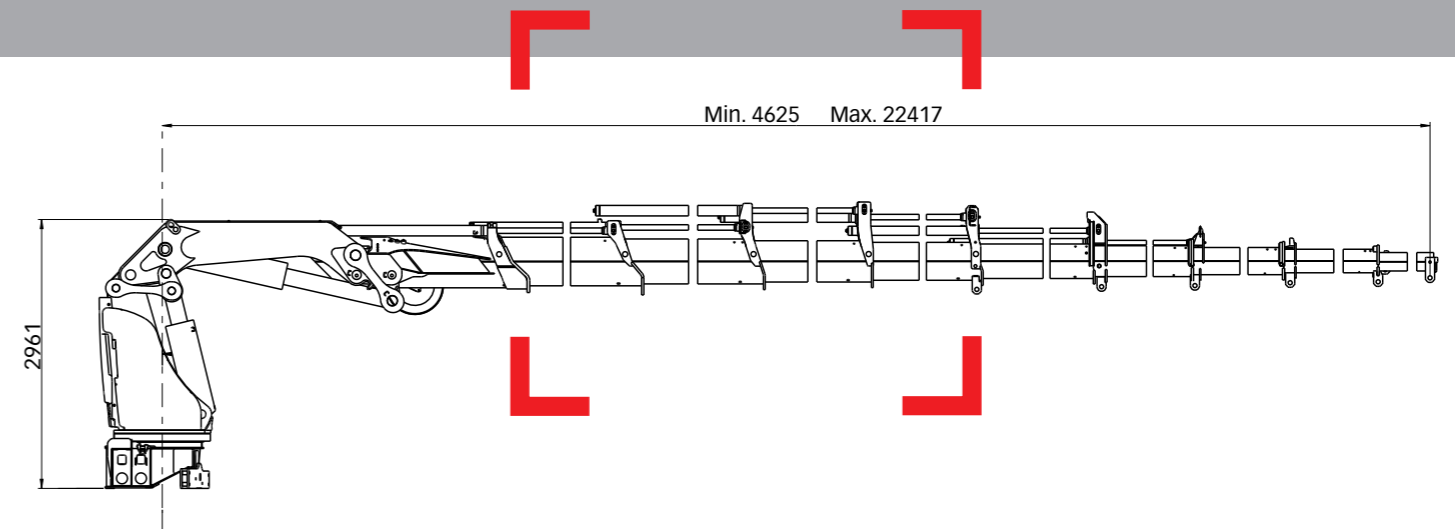
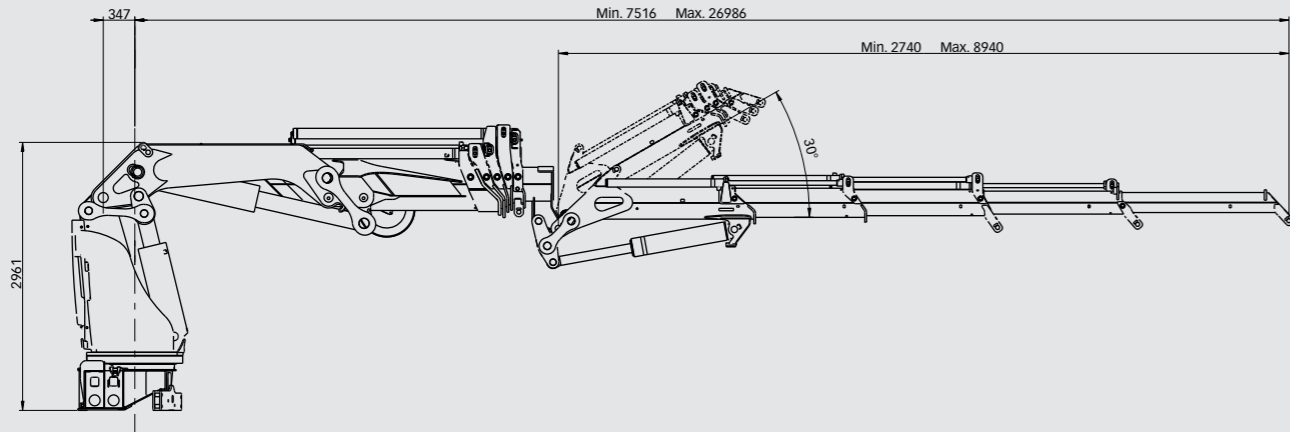


# HIAB XS 800 Basic data

# HIAB XS 800 Capacity 77 tm

## > HIAB XS 800 E-7 jib 135X-4



Basic data

### Disclaimer

Hiab cranes have been built to meet the highest standards of safety and service life and have been thoroughly tested. Strength calculations for this model have been carried out in accordance with EN13001. Hiab's certified Quality Assurance System complies with the ISO 9001. Some of the items in our literature may be extra equipment. Certain applications may require an official permit. We reserve the right to change technical specifications without prior notice. Hiab cranes produced for EU-countries are CE-marked and comply with the European Standard EN 12999.

BD-800-EN-EU\_071116

[www.hiab.com](http://www.hiab.com)



# HIAB XS 800 Basic data

## Technical data

	EP-5 HiPro	E-6 HiPro	E-7 HiPro	E-9 HiPro
Max. lifting capacity (kNm)	716	703	696	689
Outreach - hydraulic extensions (m)	14.8	15.9	18.1	22.4
Outreach - manual extensions (m)	-	-	-	-
Outreach - jib (m)	-	-	27.0	-
Outreach / lifting capacity (m / kg)	3.9 / 18000	3.9 / 18000	3.8 / 18000	3.7 / 18000
	4.7 / 15500	4.3 / 16600	4.4 / 16100	4.6 / 15200
	6.3 / 11400	5.9 / 11800	6.0 / 11500	6.1 / 11100
	8.2 / 8600	7.7 / 8800	7.8 / 8500	7.9 / 8100
	10.2 / 6800	9.6 / 6900	9.7 / 6600	9.8 / 6300
	12.4 / 5500	11.6 / 5600	11.7 / 5300	11.8 / 5000
	14.7 / 4600	13.6 / 4700	13.7 / 4500	13.8 / 4100
	-	15.7 / 4100	15.8 / 3800	15.9 / 3500
	-	-	17.9 / 3300	18.0 / 3000
	-	-	-	20.1 / 2700
Outreach / lifting capacity, with jib (m / kg)	-	-	20.8 / 1960	-
	-	-	22.1 / 1820	-
	-	-	23.6 / 1680	-
	-	-	25.2 / 1560	-
	-	-	26.8 / 1380	-
Slewing angle	∞	∞	∞	∞
Height in folded position (mm)	2574	2488	2841	2488
Width in folded position (mm)	2500	2500	2510	2500
Installation space needed (mm)	1563	1647	1818	1678
Weight - "standard" crane without stabilizers (kg)	6390	6830	7195	7445
Weight - stabilizer equipment (kg)	1180 - 1315	1180 - 1315	1180 - 1315	1180 - 1315
Weight - jib (kg)	-	-	1000	-

## HIAB XS 800 E-9 HiPro

