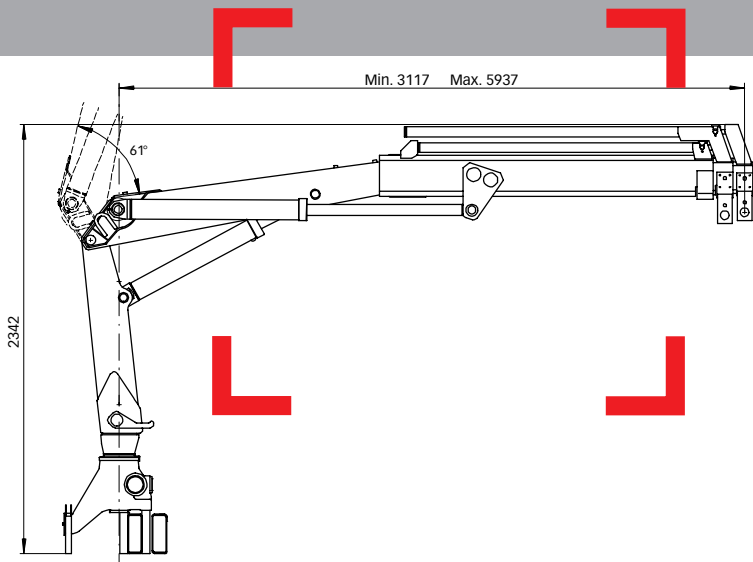


# HIAB 035 Capacity 4 tm



Basic data

# HIAB 035 Basic data

## Technical data

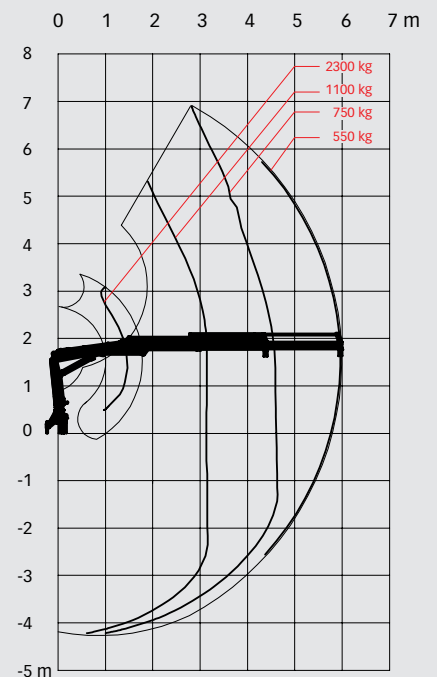
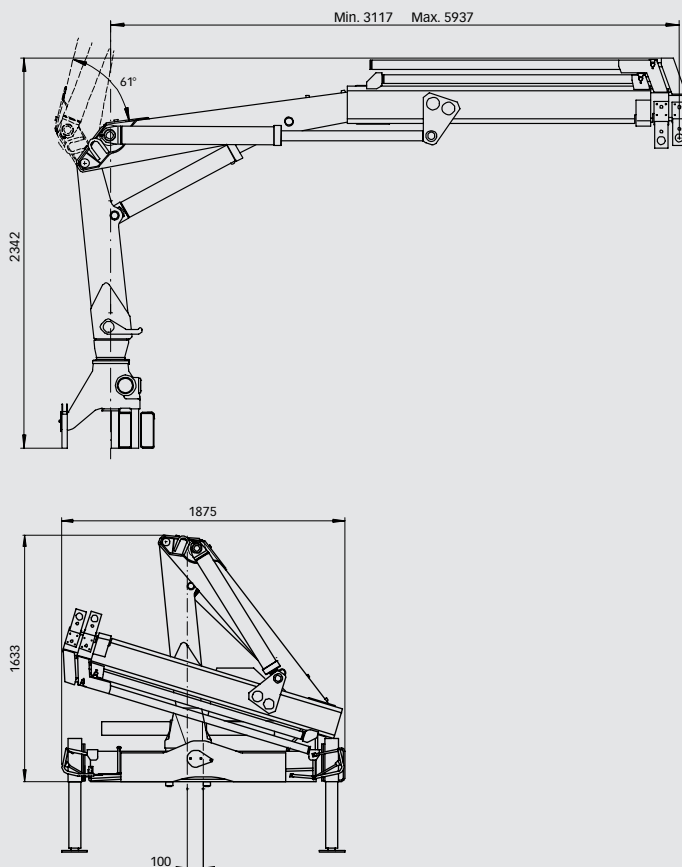
035-1

035-2

	035-1	035-2
Max. lifting capacity (kNm)	37.4	34.1
Outreach - hydraulic extensions (m)	4.4	6.0
Outreach - manual extensions (m)	9.3	9.3
Outreach / lifting capacity (m / kg)	1.4 / 2500*	1.4 / 2300*
	3.1 / 1250	3.2 / 1100
	4.4 / 850	4.7 / 750
	-	6.0 / 550
Slewing angle	370°	370°
Height in folded position (mm)	1633	1633
Width in folded position (mm)	1875	1875
Installation space needed (mm)	-	-
Weight - "standard" crane without stabilizers (kg)	460	510
Weight - stabilizer equipment (kg)	60 - 184	60 - 184

\*May require special hook or special hook position

## HIAB 035-2



### Disclaimer

Hiab cranes has been built to meet the highest standards of safety and service life and has been thoroughly tested. Strength calculations for this model have been carried out in accordance with DIN 15018. Hiab's certified Quality Assurance System complies with the ISO 9001. Some of the items in our literature may be extra equipment. Certain applications may require an official permit. We reserve the right to change technical specifications without prior notice. Hiab cranes produced for EU-countries are CE-marked and comply with the European Standard EN 12999.