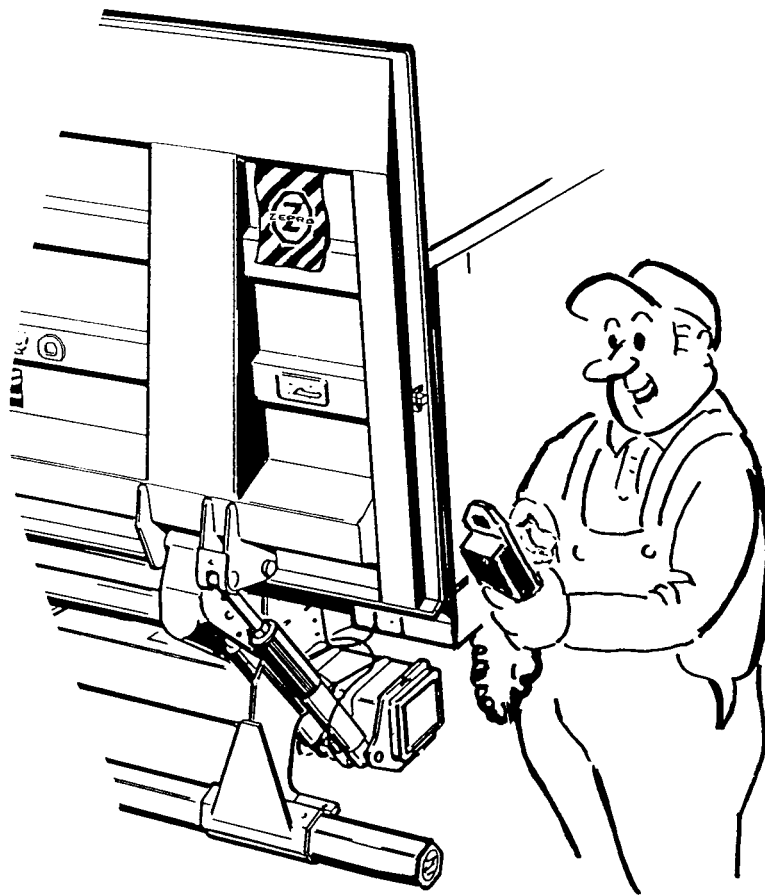


ZEPRO

Z-LYFTEN PRODUKTION AB

IE-0111

Service instruction



Speed control

2014-12-19

Försäljning/Sales/Verkauf

Mossvägen 8, 641 49 KATRINEHOLM, SWEDEN

Telephone: +46 150 - 489550

Telefax: +46 150 - 489551

E-mail: zepro@zepro.com

Fabrik/Factory/Fabrik

Allévägen 4, 840 73 BISPGÅRDEN, SWEDEN

Telephone: +46 696 - 17200

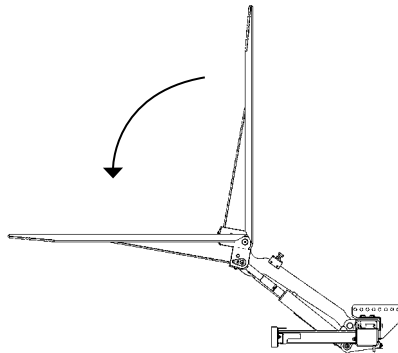
Telefax: +46 696 - 17244

E-mail: info@zepro.com

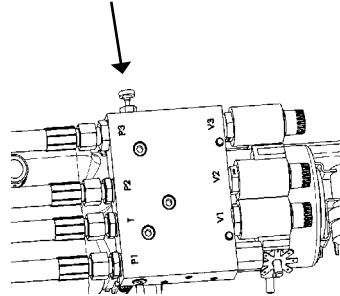
Internet: www.zepro.com

Speed control

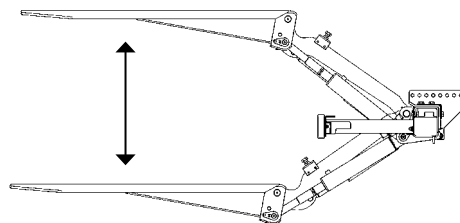
The tilt down speed is preset at the factory. On suspicion of wrong speed, please contact ZeproTechnical Support.



To adjust the speed for tilt down there is an adjustable constant flow valve on the valve block. see figure below. (The figure shows a valve block for Z, ZHD models)



The lowering and lifting speed may not exceed 0.15m per second = 1.5m per 10 seconds.



The lowering and lifting speed are not adjustable, (NB. on some older models they are). If the speed is too high please contact our Technical Support for further information.